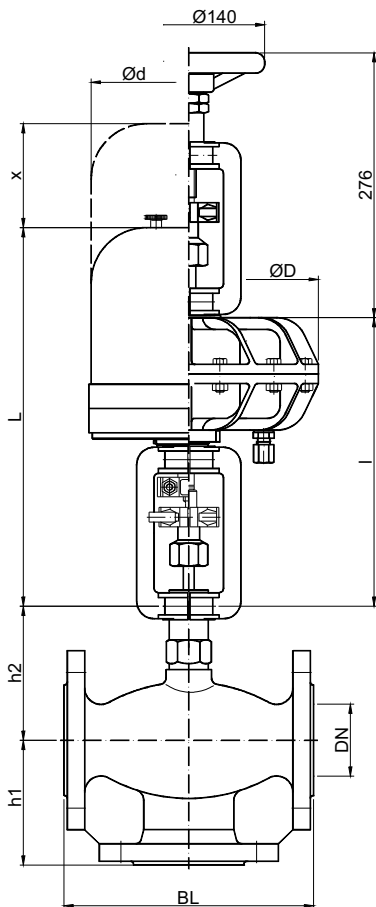


Bälz-electrodyn - control valves and control actuators

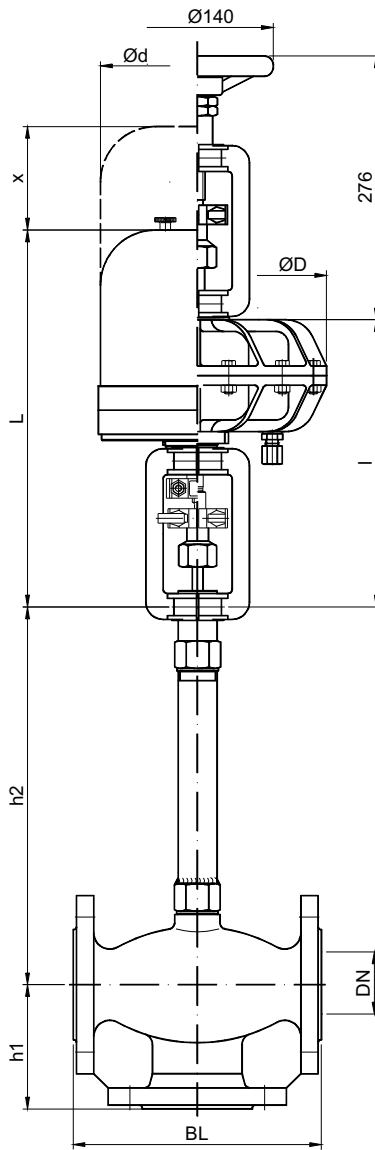
baelz 342-BK DN 15 - 125
 baelz 342-BK-SS DN 15 - 125
 baelz 347-BK DN 15 - 125
 baelz 347-BK-SS DN 15 - 125

baelz 342-B DN 15 - 125
 baelz 342-ES DN 15 - 125
 baelz 347-B DN 15 - 125
 baelz 347-ES DN 15 - 125
 baelz 347-B-EM DN 50 - 125

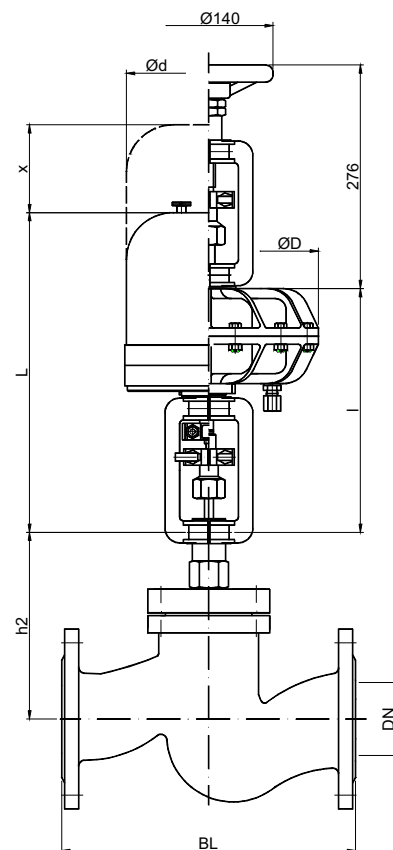
baelz 344-VA DN 32 - 125
 baelz 344-EM-VA DN 50 - 125



00000028.wmf



00000025.wmf



00000443.wmf

DN	BL	h 1	h 2 342-B / -ES 347-B / -ES / -B-EM	h 2 342-BK / -BK-SS 347-BK / -BK-SS	h 2* 344-VA / -EM-VA
mm					
15	130	75	105	231	
20	150	75	105	231	
25	160	85	105	231	
32	180	100	104	283	145
40	200	105	114	281	155
50	230	115	124	277	174
65	290	125	144	269	184
80	310	130	154	269	189
100	350	150	169	262	208
125	400	200	189	252	227

*reserved to change dimensions

Actuator baelz 373...	L	x	Ø d	l	Ø D
mm					
E 02	293	90	129		
E 06	296	130	129		
E 07	317	145	129		
E 11	499	180	183		
E 40	391	185	184		
P 21				268	242
P 21 V6				304	242
P22				322	242