

Bälz-electrodyn - control valves and control actuators

4.3 Hot oil bellows valve series baelz 342-BK-SS, 347-BK-SS, 347-BBK-SS

Assuredly the best valve serie for hot oil systems

Checklist:

ND: 15 - 300
 NP: 16 / 25 / 40
 standard body:
 342 / 347:
 NP 16 + NP 25:
 GJS-400-18-LT (GGG 40.3)
 NP 40:
 GP240GH (GS-C25)
 temperatures:
 min.: -10°C
 max.: +350°C
 342: 3-way valve,
 3rd-way B not tight
 347: 3-way, 3rd-way B tight

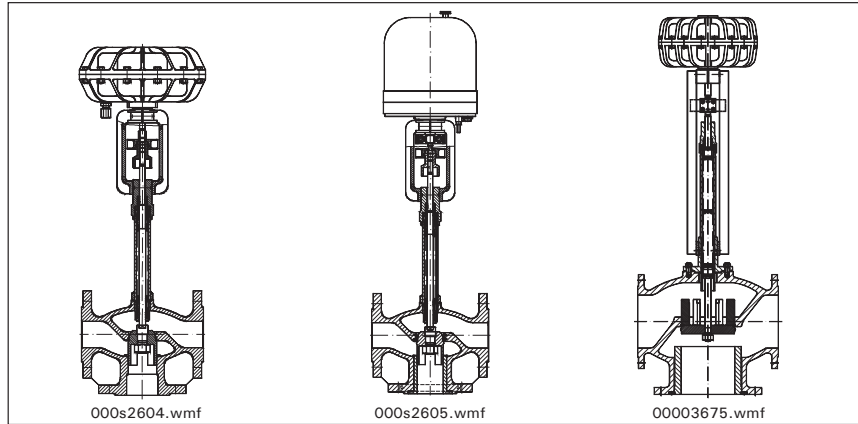


Fig. 60
 342-BK-SS-373-P21 347-BK-SS-373-E40 347-BBK-SS-373-P31

| ND | 15 | 20 | 25 | 32 | 40 | 50 | 65 | 80 | 100 | 125 | 150 | 200 | 250 | 300 | | |
|-----|-----|-----|-----|-----|----|----|----|----|-----|-----|-----|-----|-----|-----|-----|------|
| Kvs | 2,0 | 3,0 | 5,6 | 6,3 | 9 | 16 | 25 | 36 | 63 | 105 | 130 | 200 | 360 | 580 | 960 | 1340 |

*3

available Kvs values
 see page 5



342-BK-SS-DN32-P21-IP86.JPG

Fig. 61
 342-BK-SS with 373-P21
 and IP86



342-BK-SS-DN32-E07.JPG

Fig. 62
 342-BK-SS with 373-E07



347-BBK-SS-5441311.JPG

Fig. 63
 347-BBK-SS with 373-P41-V

Rights reserved to make technical changes

Bälz-electrodyn - control valves and control actuators

Text for quotations + orders:

We recommend to install ahead of each control valve a strainer baelz 70200.

**Hot oil 3-way valve with bellows and with electric*1 or
with pneumatic actuator*2 and i/p positioner
as mixing valve (2 inlets A + B, 1 outlet AB)
baelz 342-BK-SS-373-XX**

with equal percentage V-port plug
trough-way (A-AB) $Kv_{so} = 0.004\%$
angle-way (B-AB) $Kv_{so} = 2\%$
body material: GJS-400-18-LT – JS 1025 (GGG 40.3)
trim in stainless steel; spindle seal with bellows and safety gland
max. 350°C/8 bar or max. 120°C/16 bar
stroke ND 15 – 25: 12 mm
ND 32 – 125: 22 mm
flow : hot oil: m³/h
pressure drop $\Delta p_{100} = \dots\dots\dots$ bar
max. closing pressure $\Delta p_0 = \dots\dots\dots$ bar*4
as mixing valve

*1

electric actuator
see 373-EXX page 81 - 90

*2

pneumatic actuator
see 373-PXX page 104 - 110

*4

pressure Δp_0
see page 7 - 9

| Control valve type 342-BK-SS-373-XX | | | NP 16 | | | | | | |
|--|----------------|----------------------------|---|-----------|--|--|----------------------------|-----------|--|
| | | | with motorized actuator XX = 373-E07-20-18-S21-230 | | | with pneumatic actuator and i/p positioner XX = 373-P21-YY-Fu-S21-86/IP8000-M | | | |
| ND | stroke [mm] | Kvs [m ³ /h] | Δp_0 max. [bar] | Order No. | | YY | Δp_0 max. [bar] | Order No. | |
| 15 | 12 | 5.6 | 16 | 342-2115 | | 06 | 16 | 342-2615 | |
| 20 | 12 | 6.3 | 16 | 342-2116 | | 06 | 16 | 342-2616 | |
| 25 | 12 | 9 | 16 | 342-2117 | | 06 | 16 | 342-2617 | |
| 32 | 22 | 16 | 16 | 342-2118 | | 06 | 16 | 342-2618 | |
| 40 | 22 | 25 | 12 | 342-2119 | | 06 | 13.5 | 342-2619 | |
| 50 | 22 | 36 | 8 | 342-2120 | | 06 | 8.9 | 342-2620 | |
| 65 | 22 | 63 | 4.6 | 342-2121 | | 12 | 8 | 342-2621 | |
| 80 | 22 | 105 | 2.9 | 342-2122 | | 18 | 7 | 342-2622 | |
| 100 | 22 | 130 | 1.7 | 342-2123 | | V6 | 8 | 342-2623 | |
| 125 | 22 | 200 | 1 | 342-2124 | | V6 | 5 | 342-2624 | |

Supplement for potentiometer 5 kΩ and sequence amplifier baelz 1020-230-M for baelz 373-E07 to receive a positioning signal 0-10 V or 4-20 mA

Supplement for potentiometer 5 kΩ and sequence amplifier baelz 1020-230-M for baelz 373-E40 to receive a positioning signal 0-10 V or 4-20 mA

Supplement for potentiometer 5 kΩ and sequence amplifier baelz 1020-230-M for baelz 373-E11 to receive a positioning signal 0-10 V or 4-20 mA

Supplement for 3-way solenoid valve baelz 268/2-230-M for baelz 373-P21

Supplement for air pressure reduction set baelz 54298-¼"-M:

Supplement for feedback potentiometer 0-5 kΩ: baelz 373-E07-Fg-5kΩ

baelz 373-E40-Fg-5kΩ

baelz 373-E11-Fg-5kΩ

Supplement for spring return actuator baelz 373-E11-20-17 with 2000 N instead of baelz 373-E07