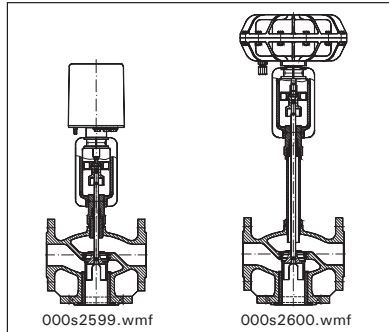


**Bälz-electrodyn - control valves and control actuators**

**4.2 Valve serie baelz 342-B, 347-B, 347-BB**

High volume selling universal 3-way valve baelz 342 in spheroidal GJS-400-18-LT (GGG 40.3)

**Checklist:**  
 ND: 15 - 300  
 NP: 16 / 25 / 40  
 standard body:  
 NP 16 + 25:  
 GJS-400-18-LT (GGG 40.3)  
 NP 40:  
 GP240GH (GS-C25)  
 temperatures:  
 min.: -10°C  
 max.: +240°C or  
 +350°C type K  
 342: 3<sup>rd</sup>-way B not tight closing  
 347: 3<sup>rd</sup>-way B tight closing



**Fig. 57**  
 347-B-373-E07 347-BK-373-P21

**Text for quotations + orders:**

**3-way control valve baelz 347-B NP 16**  
 without actuator\*1\*2  
 trough-way (A-AB) Kvso = 0.004%  
 angle-way (B-AB) Kvso = 0.004%  
 body material : GJS-400-18-LT – JS 1025  
 (GGG 40.3)  
 internal parts : stainless steel  
 stuffing box : V-rings in PTFE  
 temp./pressure  
 ND 15 - 250 : max. 240°C/11 bar -  
 120°C/16 bar  
 ND 300 : max. 240°C/11 bar -  
 120°C/11 bar  
 stroke ND 15 – 25 : 12 mm  
 ND 32 – 125 : 22 mm  
 ND 150 : 44 mm  
 ND 200 – 300 : 66 mm  
 flow : .....  
 pressure drop  $\Delta p_{100}$  : ..... bar  
 max. closing pressure  
 for mixing valve (2 inlets / 1 outlet)\*4  
 $\Delta p_0$  : ..... bar  
 max. closing pressure  
 for diverting valve (1 inlet / 2 outlets)\*4  
 $\Delta p_0$  : ..... bar

**Text for quotations + orders:**

**3-way control valve baelz 342-B NP 16**  
 without actuator\*1\*2  
 trough-way (A-AB) Kvso = 0.004%  
 angle-way (B-AB) Kvso = 2%  
 body material : GJS-400-18-LT – JS 1025  
 (GGG 40.3)  
 internal parts : stainless steel  
 stuffing box : V-rings in PTFE  
 temp./pressure  
 ND 15 - 125 : max. 240°C/11 bar – 120°C/16 bar  
 stroke ND 15 – 25 : 12 mm  
 ND 32 – 125 : 22 mm  
 flow : .....  
 pressure drop  $\Delta p_{100}$  : ..... bar  
 max. closing pressure for mixing valve\*4  
 (2 inlets / 1 outlet)  $\Delta p_0$  : ..... bar  
 max. closing pressure for diverting valve\*4  
 (1 inlet / 2 outlets)  $\Delta p_0$  : ..... bar

\*3

ND	15	20	25	32
Kvs	2,0	3,0	5,6	6,3
ND	40	50	65	80
Kvs	25	36	63	105
ND	150	200	250	300
Kvs	360	580	960	1340

**Text for quotations + orders:**

**3-way control valve baelz 342-BK NP 25**  
 without actuator\*1\*2  
 trough-way (A-AB) Kvso = 0.004%  
 angle-way (B-AB) Kvso = 2%  
 body material : GJS-400-18-LT – JS 1025  
 (GGG 40.3)  
 internal parts : stainless steel  
 stuffing box : V-rings in PTFE  
 temp./pressure : max. 350°C/13 bar - 120°C/25 bar  
 stroke ND 15 – 25 : 12 mm  
 ND 32 – 125 : 22 mm  
 flow : .....  
 pressure drop  $\Delta p_{100}$  : ..... bar  
 max. closing pressure for mixing valve\*4  
 (2 inlets / 1 outlet)  $\Delta p_0$  : ..... bar  
 max. closing pressure for diverting valve\*4  
 (1 inlet / 2 outlets)  $\Delta p_0$  : ..... bar



**Fig. 58**  
 342-B with 373-E07



**Fig. 59**  
 347-BB with 373-E40

\*1 electric actuator see 373-EXX page 81 - 90

\*2 pneumatic actuator see 373-PXX page 104 - 110

\*3 available Kvs values see page 5

\*4 pressure  $\Delta p_0$  see page 7 - 9

Rights reserved to make technical changes